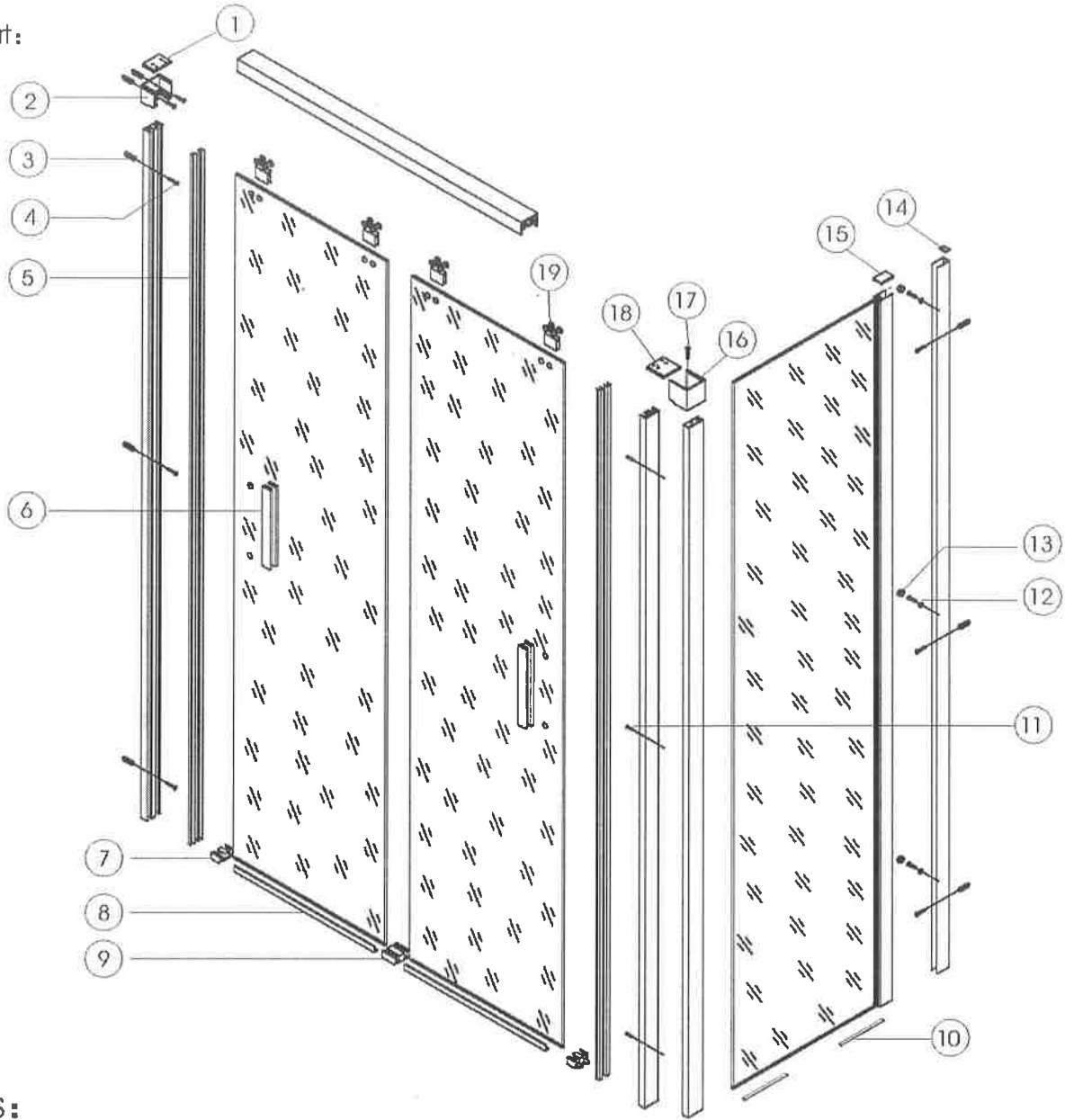


# Installation instruction

## I. Body part:

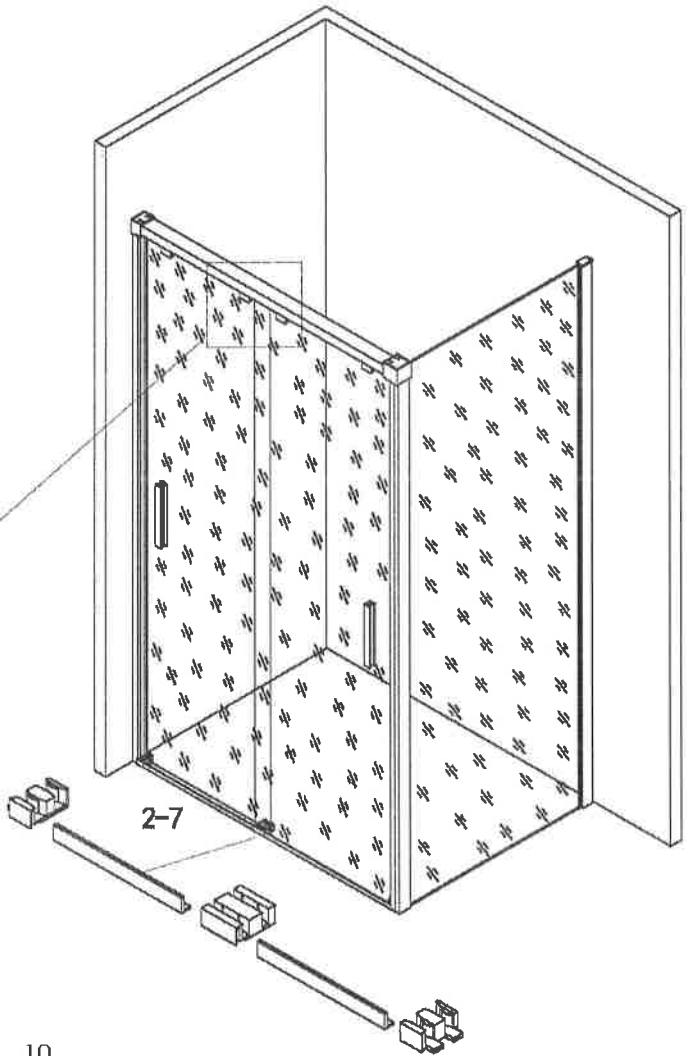
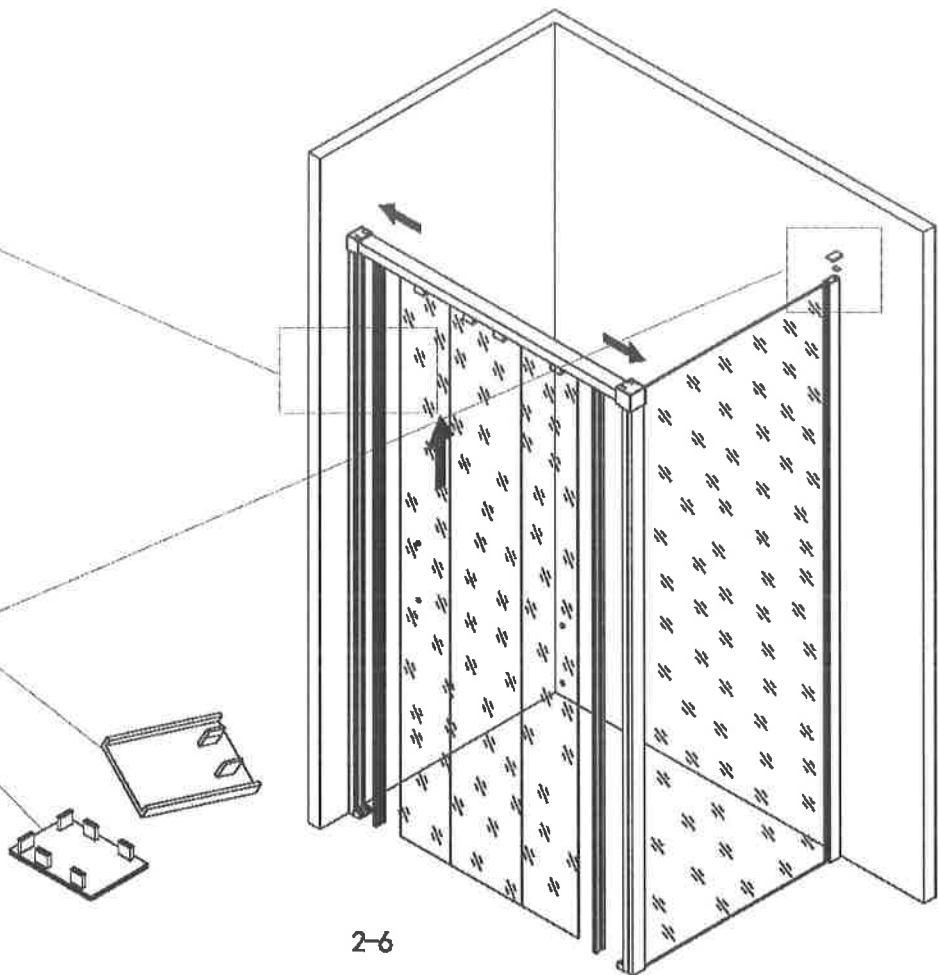
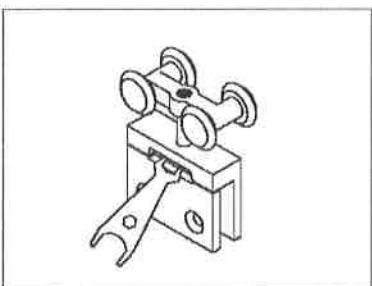
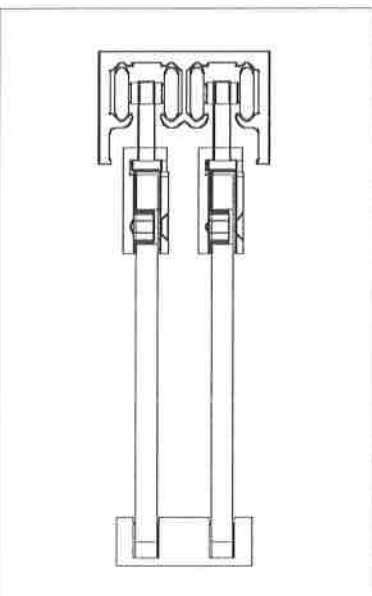
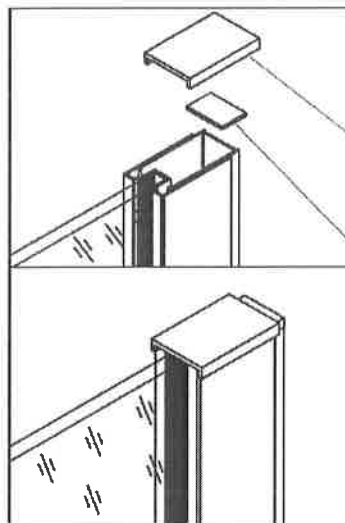
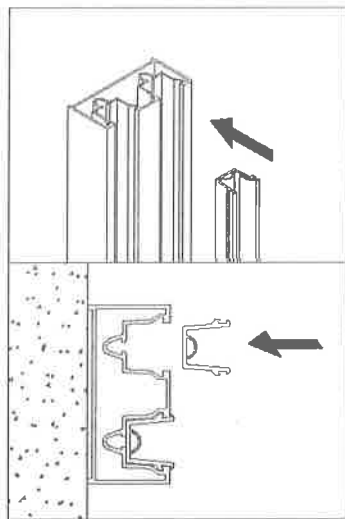


## II. Tools:

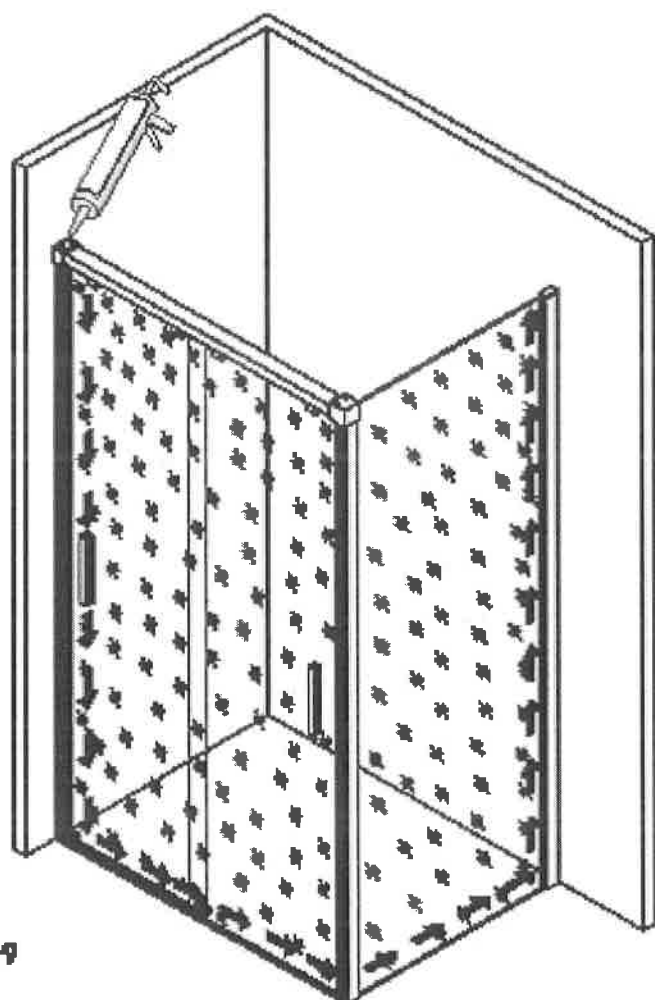
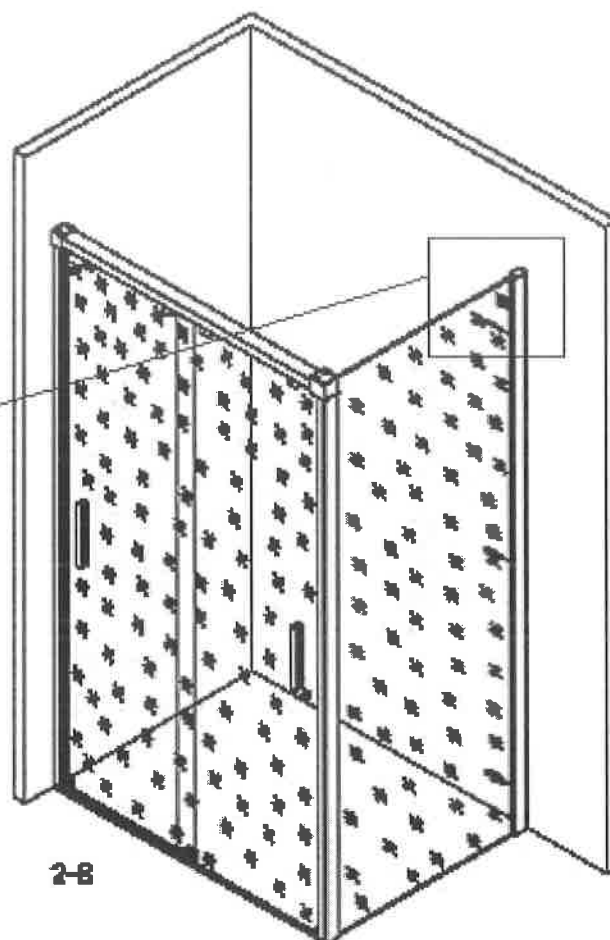
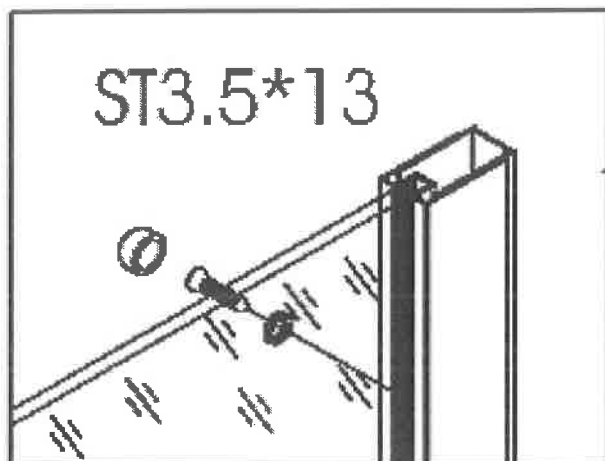


## III. Hardware list:

Number	Pic	Qty	Number	Pic	Qty	Number	Pic	Qty	Number	Pic	Qty
1		1	6		2	11		3	16		1
2		1	7		LR/1	12		3	17		1
3		8	8		2	13		3	18		1
4		8	9		1	14		1	19		4
5		4	10		2	15		1			

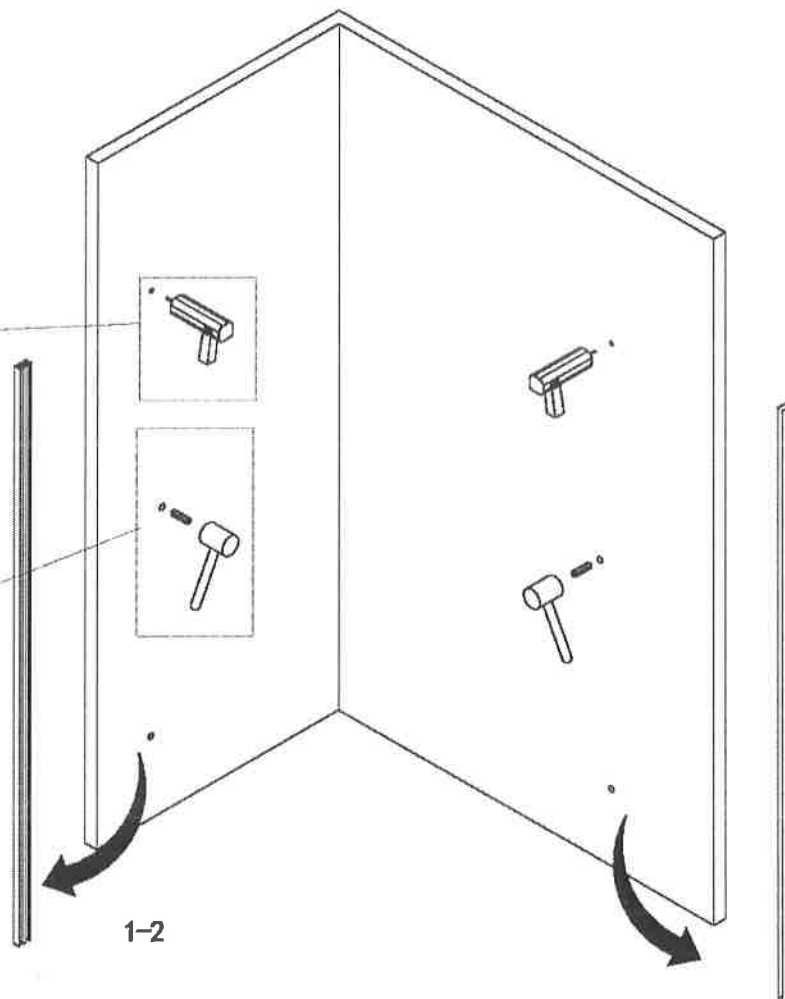
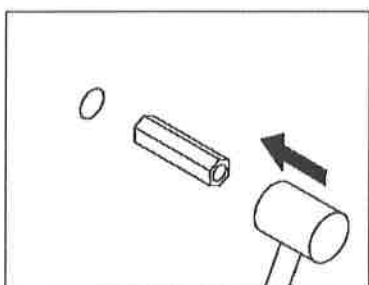
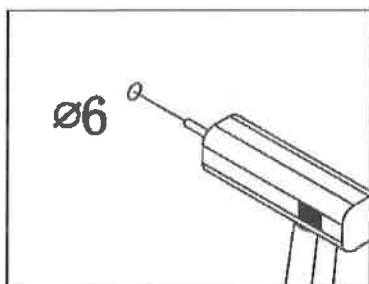
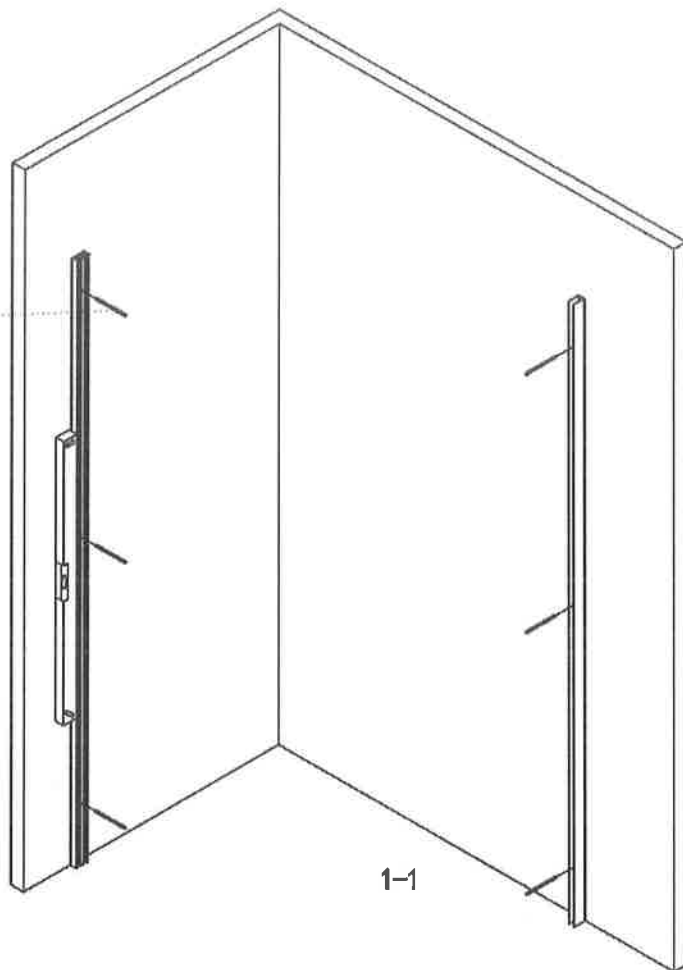


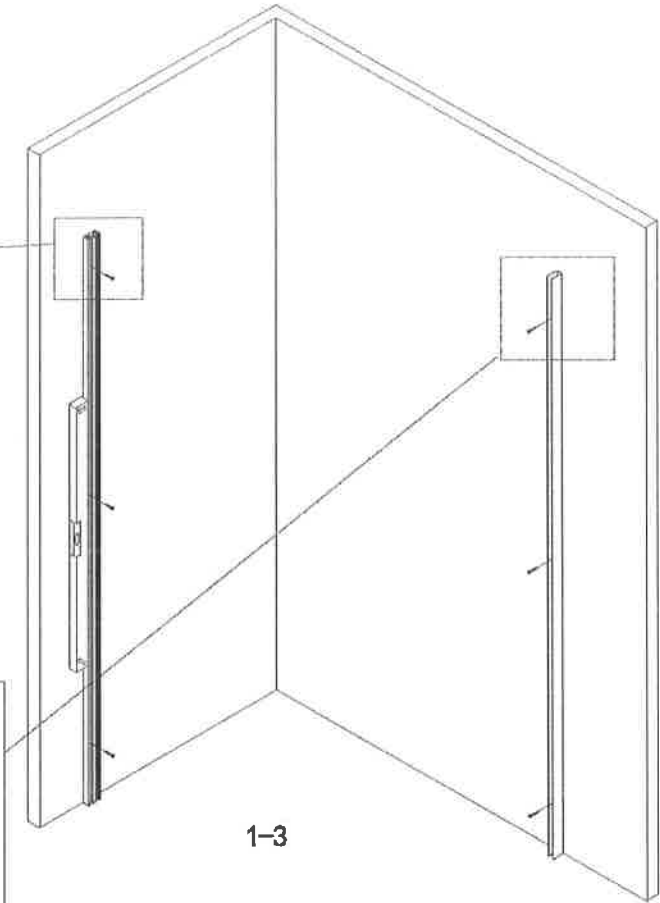
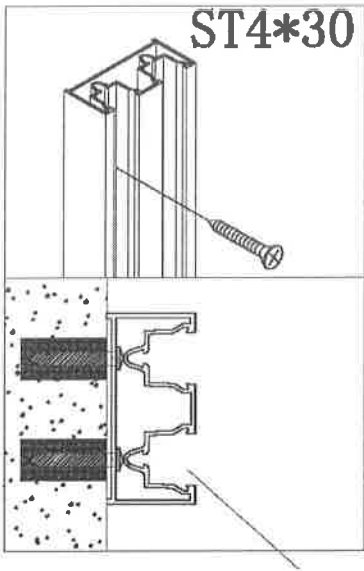
NOTE: ADJUST THE PULLEY FIT FOR THE GLASS



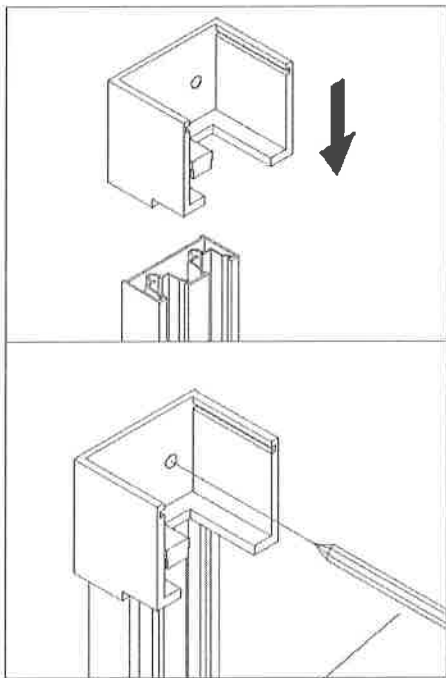
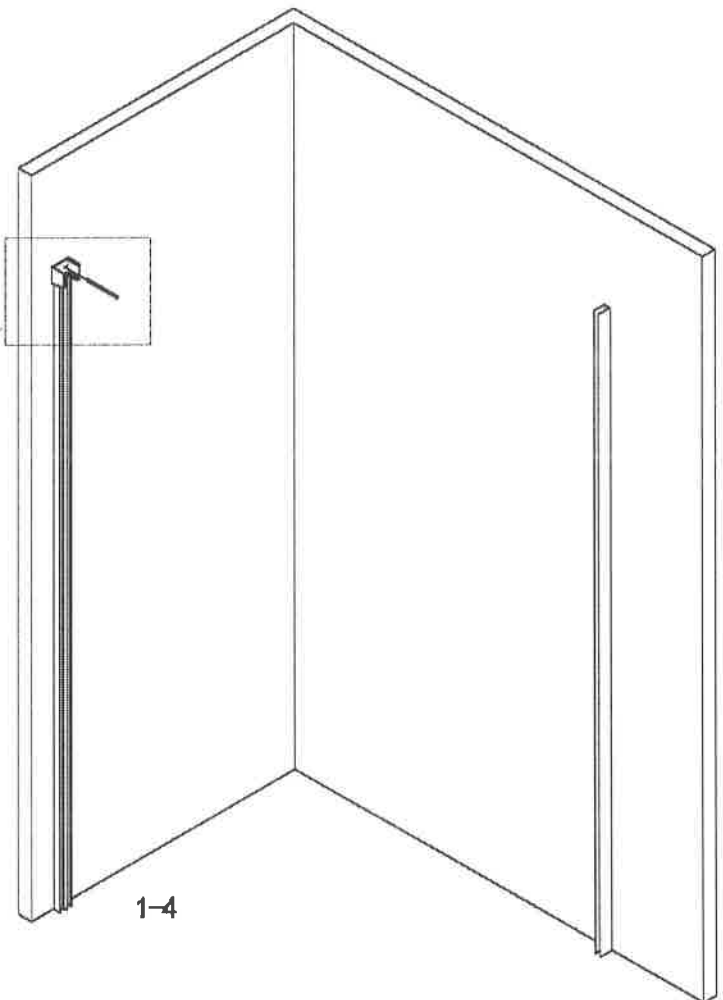
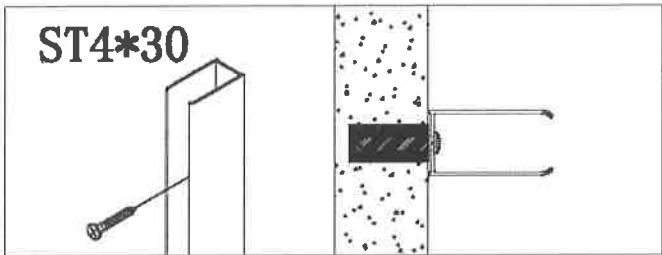
IV. Steps:

Pencil

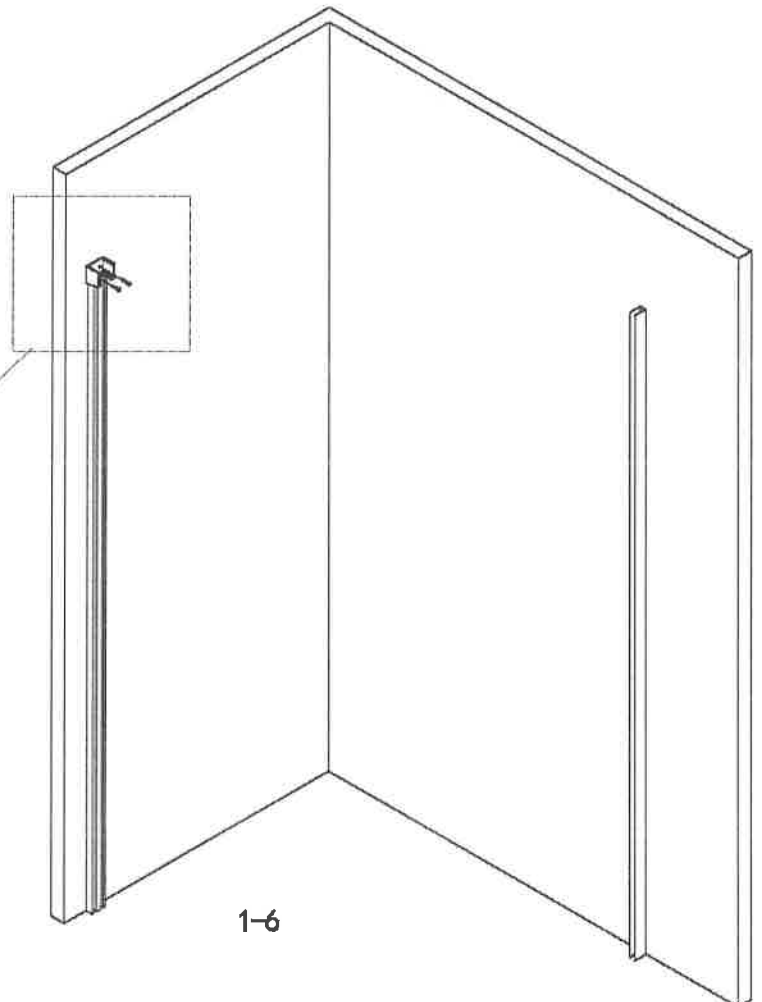
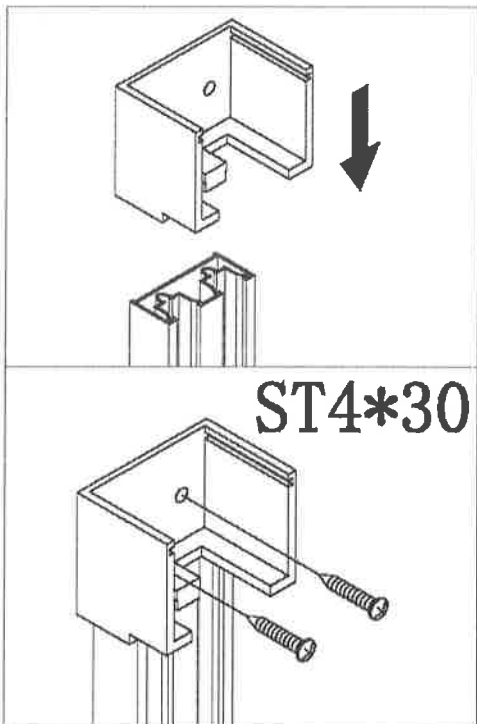
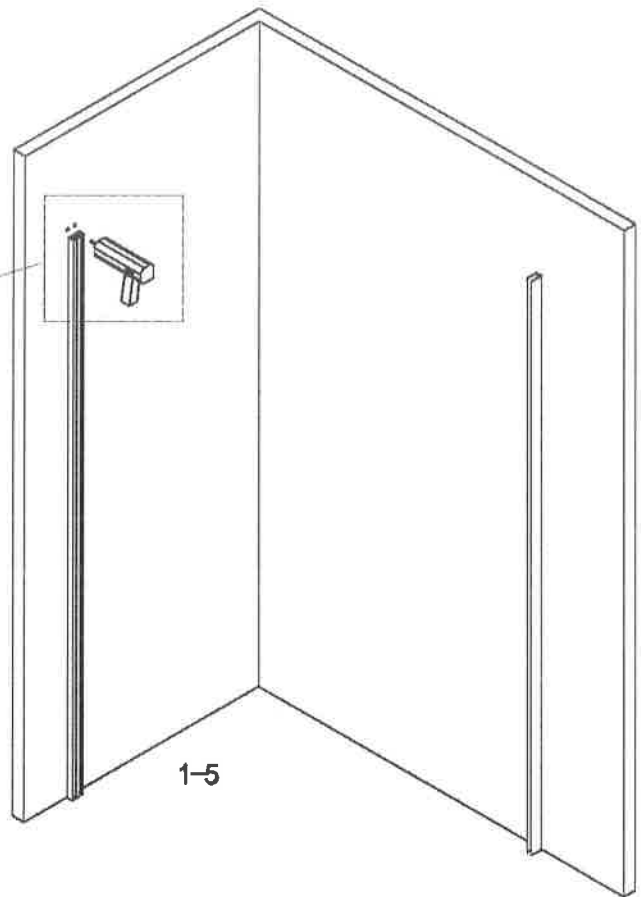
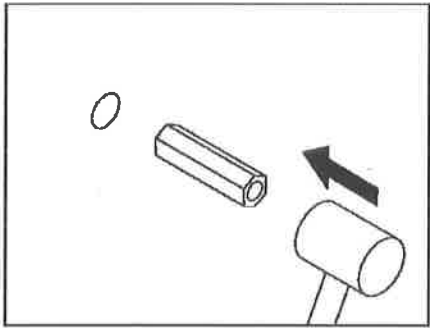
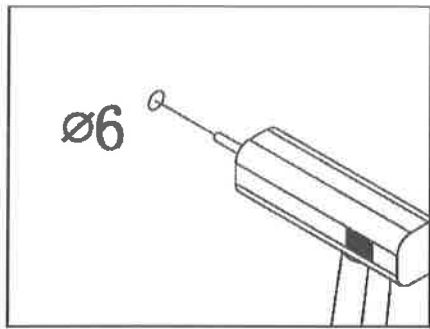


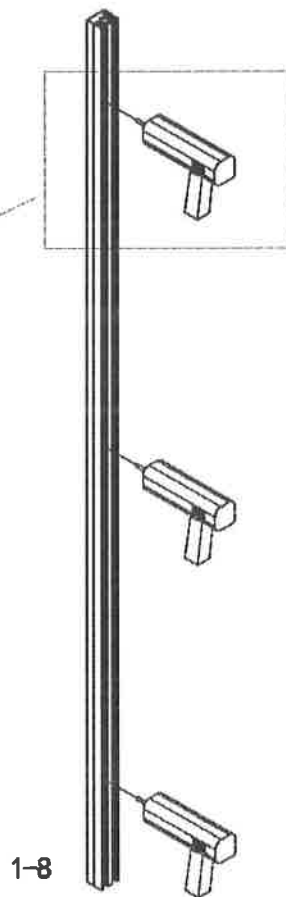
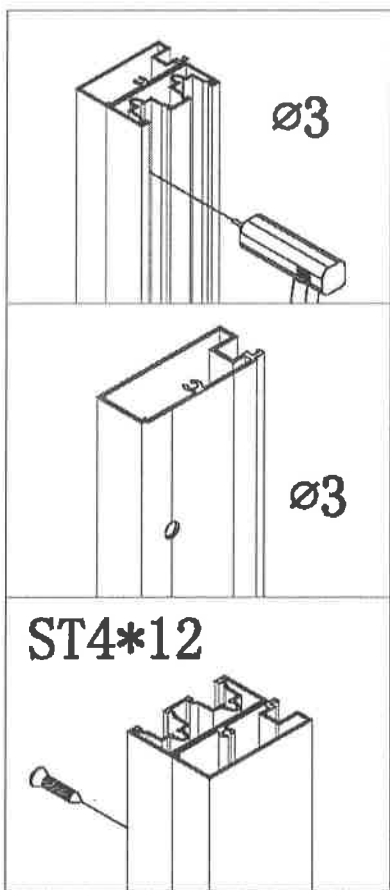
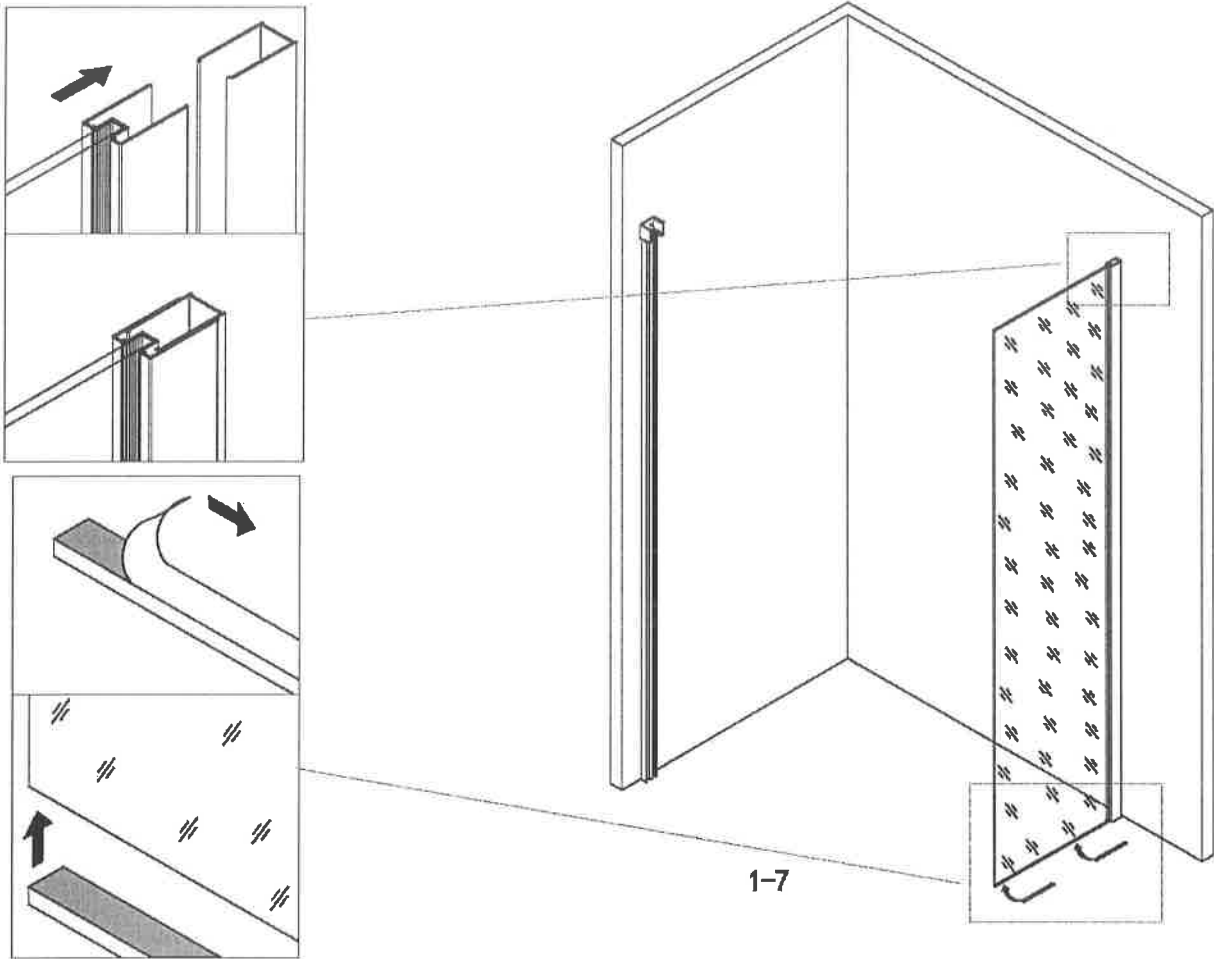


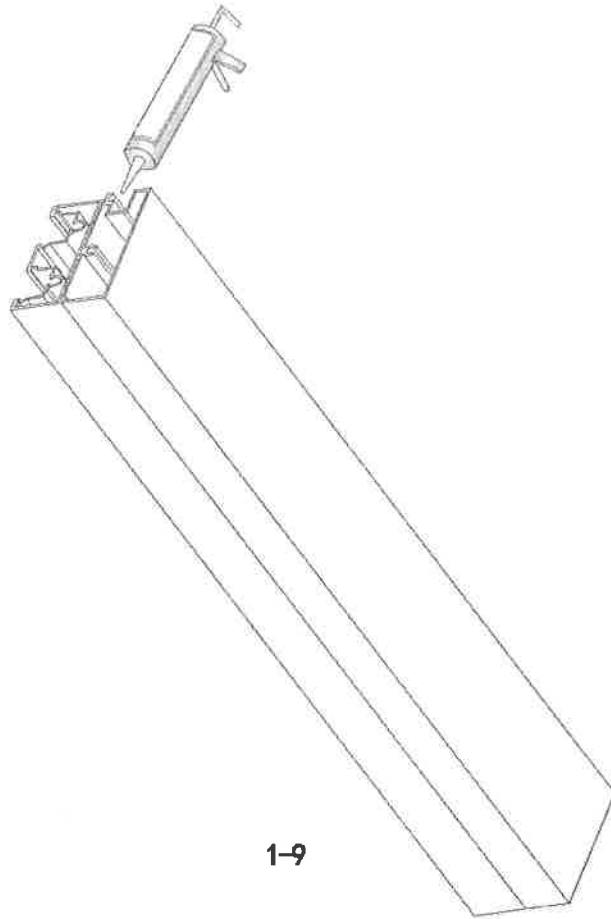
NOTE: OUTSIDE 2 SCREWS, INSIDE 1 SCREW



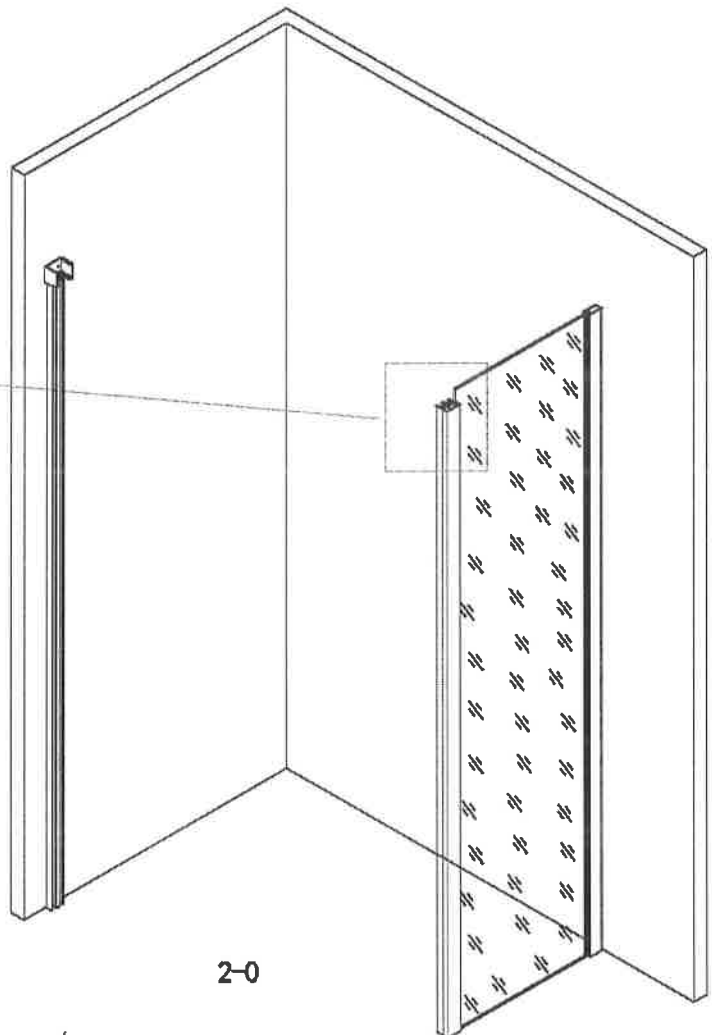
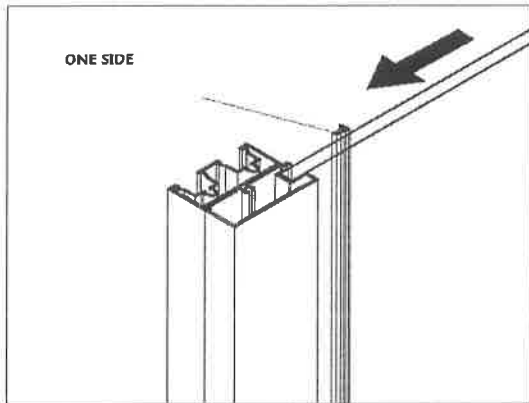
Pencil





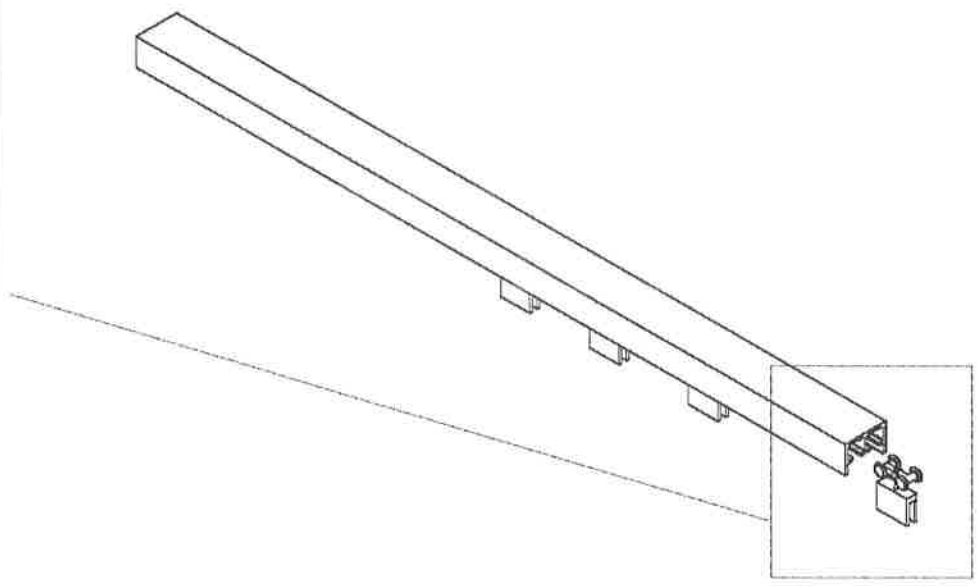
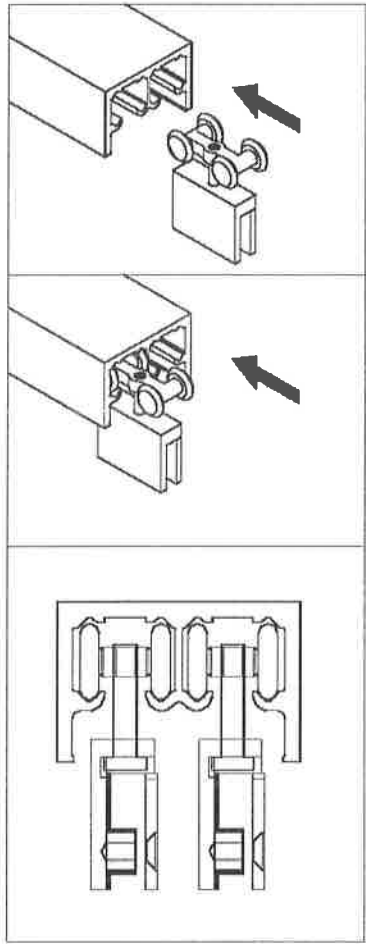
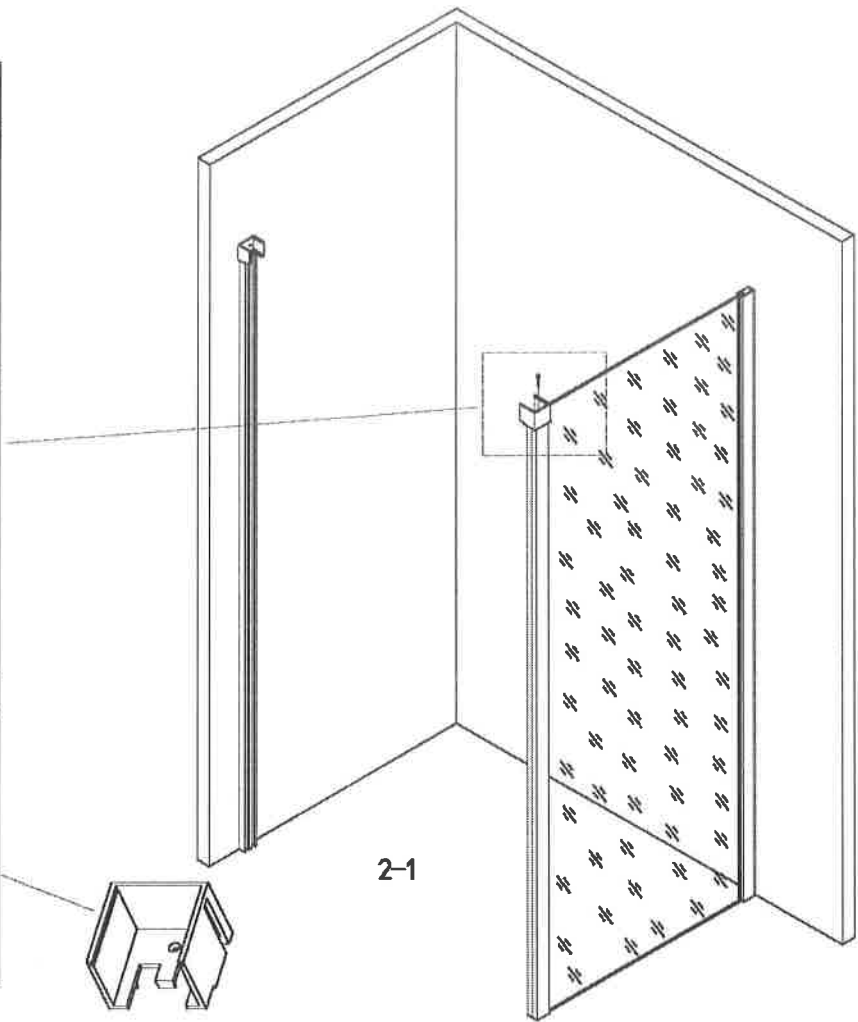
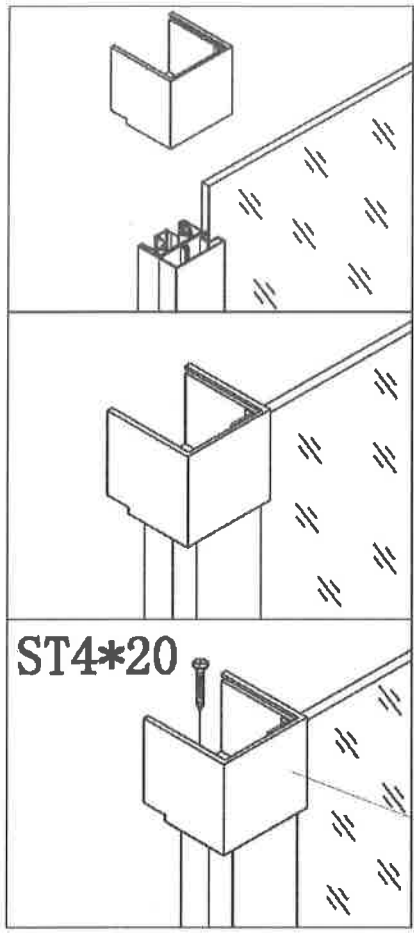


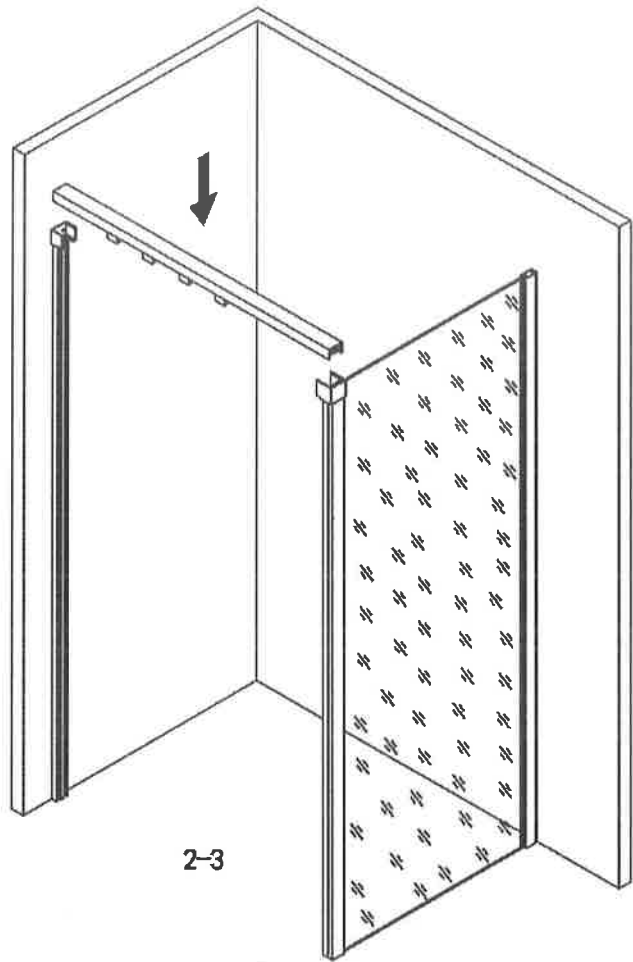
1-9



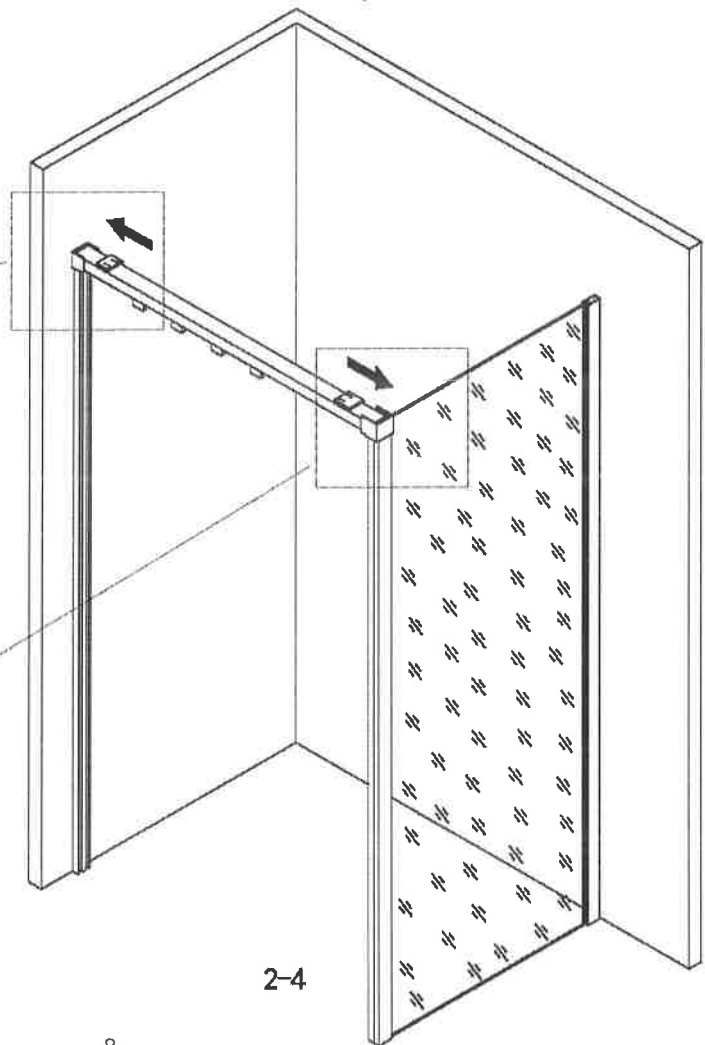
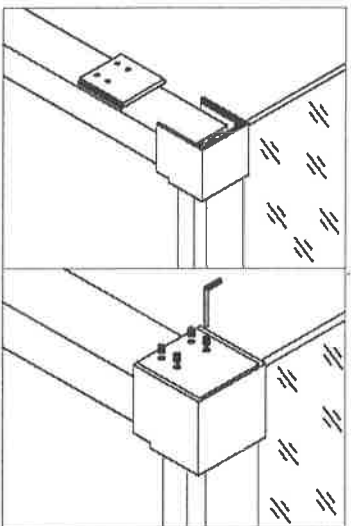
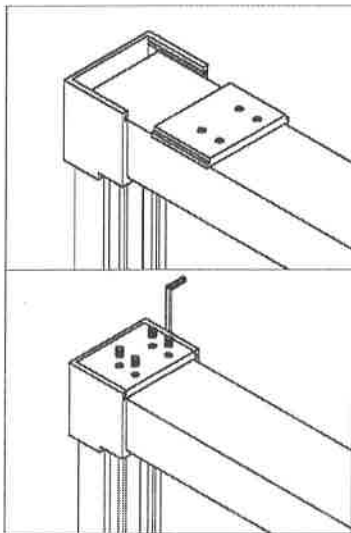
2-0







2-3



2-4

